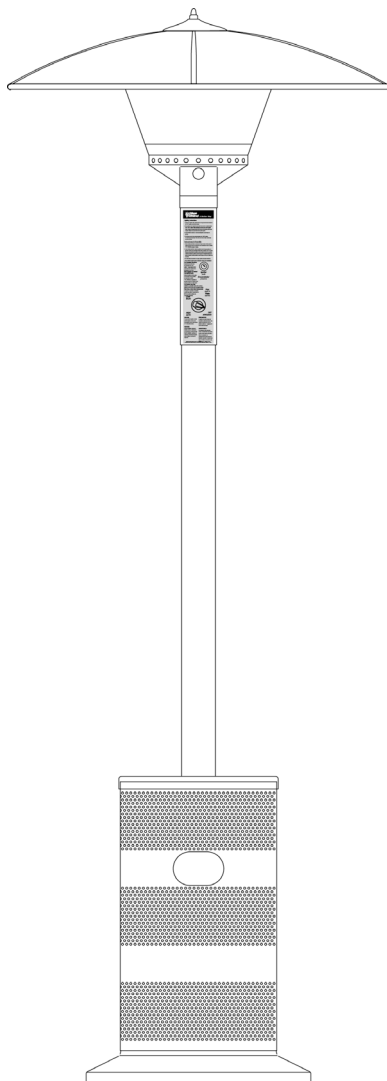




Outdoor LP Gas Patio Heater

Model No. 233000



 DANGER	<p>CARBON MONOXIDE HAZARD</p> <ul style="list-style-type: none"> • This appliance can produce carbon monoxide which has no odor. • Using it in an enclosed space can kill you. • Never use this appliance in an enclosed space such as a camper, tent, car or home.

 WARNING FOR YOUR SAFETY:
<p>For Outdoor Use Only (outside any enclosure)</p>

 WARNING FOR YOUR SAFETY:
<ul style="list-style-type: none"> ▲ Improper installation, adjustment, alteration, service or maintenance can cause injury or property damage. ▲ Read the installation, operation, and maintenance instructions thoroughly before installing or servicing this equipment. ▲ Failure to follow these instructions could result in fire or explosion, which could cause property damage, personal injury, or death.

Made from 70% Bagasse
(Environmentally Friendly Sugar Cane Pulp By-product)



Table of Contents

Important Safeguards	Page 2
Exploded View & Hardware	3
Assembly Instructions	4
Installing LP Gas Tank	7
Insert LP Gas Tank	7
Secure LP Gas Tank	7
Connect LP Gas Tank	7
Disconnect LP Gas Tank	7
Operating Instructions	8
Checking for Leaks	8
Before Lighting	8
Lighting	8
When heater is ON	8
Re-Lighting	8
Shutdown	8
Cleaning and Care	8
Cleaning Surfaces	8
Maintenance	9
Storage	9
Product Registration	9
Limited Warranty	9
Specifications	9
Troubleshooting	10
Optional Accessories	10

The use and installation of this product must conform to local codes. In absence of local codes, use the *National Fuel Gas Code, ANSI Z223.1/NFPA 54, CAN/CGA-B149.1, Natural Gas and Propane Installation Code.*

California Proposition 65: Chemicals known to the State of California to cause cancer, birth defects, or other reproductive harm are created by the combustion of propane.

Save these instructions for future reference. If you are assembling this unit for someone else, give this manual to him or her to read and save for future reference.

Manufactured in China for:
 Blue Rhino Global Sourcing, Inc
 Winston-Salem, NC 27105 USA
 1.800.762.1142, www.bluerhino.com

© 2007 Blue Rhino Global Sourcing, Inc. All Rights Reserved
 Endless Summer® is a Registered Trademark of Blue Rhino Global Sourcing, Inc. All Rights Reserved
 U.S. Patent Number: 6,610,031; 6,470,877; Hong Kong Patent Number: 1108587.1; All Other Foreign Patents May Apply.

DANGERS and WARNINGS: FOR YOUR SAFETY



DANGER

If you smell gas -

1. Shut off gas to appliance.
2. Extinguish any open flame.
3. If odor continues, immediately call your gas supplier or your fire department.



WARNING FOR YOUR SAFETY

1. Do not store spare LP cylinder within 10 feet (3.05 m) of this appliance.
2. Do not store or use gasoline or other flammable vapors and liquids within 25 feet (7.62 m) of this or any other appliance.
3. An LP cylinder not connected for use shall not be stored in the vicinity of this or any other appliance.

▲ DANGER: Failure to follow the dangers, warning and cautions in this manual may result in serious bodily injury or death, or in a fire or an explosion causing damage to property.

- ▲ WARNING:**
- ▲ This heater is for outdoor use only, and shall not be used in a building, garage, or any other enclosed area.
 - ▲ Always maintain at least 36" clearance (top), and 24" clearance (side) from combustible materials.
 - ▲ This heater is for use with liquid propane (LP) gas only. The conversion to or attempted use of natural gas in this LP gas heater is dangerous and will void your warranty.
 - ▲ LP gas Characteristics:
 - a. LP gas is flammable and hazardous if handled improperly. Become aware of the characteristics before using any LP gas product.
 - b. LP gas is explosive under pressure, heavier than air, and settles and pools in low areas.
 - c. LP gas in its natural state has no odor. For your safety, an odorant is added that smells like rotten cabbage.
 - d. Contact with LP gas can cause freeze burns to skin.
 - ▲ LP gas tank needed to operate. Only tanks marked "propane" may be used.
 - ▲ The LP gas supply tank must be constructed and marked in accordance with the *Specifications for LP gas Cylinders* of the U.S. Department of Transportation (DOT) or the National Standard of Canada, *CAN/CSA-B339, Cylinders, Spheres and Tubes for the Transportation of Dangerous Goods; and Commission*.
 - ▲ LP gas tank must be arranged for vapor withdrawal.
 - ▲ The LP gas tank must have a listed overfilling prevention device (OPD).
 - ▲ Only use 20-pound cylinders equipped with a cylinder connection device compatible with the connection for outdoor cooking appliances.
 - ▲ The LP gas tank must have a tank collar to protect the tank valve.
 - ▲ Never use an LP gas tank with a damaged body, valve, collar, or footing.
 - ▲ Dented or rusted LP gas tanks may be hazardous and should be checked by your LP gas supplier prior to use.
 - ▲ The LP gas tank should not be dropped or handled roughly.
 - ▲ Tanks must be stored outdoors out of the reach of children and must not be stored in a building, garage, or any other enclosed area. Your tank must never be stored where temperatures can reach over 125°F.
 - ▲ Never keep a filled LP gas tank in a hot car or car trunk. Heat will cause the gas pressure to increase, which may open the relief valve and allow gas to escape.
 - ▲ Do not store a spare LP gas tank under or near this appliance.
 - ▲ Never fill the tank beyond 80 percent full.
 - ▲ Never attempt to attach this heater to the self-contained LP gas system of a camper trailer, motor home, or house.
 - ▲ The use of alcohol, or prescription or non-prescription drugs may impair the consumer's ability to properly assemble or safely operate the appliance.
 - ▲ Your heater has been checked at all factory connections for leaks. Recheck all connections, as movement in shipping can loosen connections.
 - ▲ Check for leaks even if your unit was assembled for you by someone else.
 - ▲ Do not operate if gas leak is present. Gas leaks may cause a fire or explosion.
 - ▲ You must follow all leak-checking procedures before operating. To prevent fire or explosion hazard when testing for a leak:
 - a. Always perform leak test before lighting the heater and each time the tank is connected for use.
 - b. No smoking. Do not use or permit sources of ignition in the area while conducting a leak test.
 - c. Conduct the leak test outdoors in a well-ventilated area.
 - d. Do not use matches, lighters, or a flame to check for leaks.
 - e. Do not use heater until any and all leaks are corrected. If you are unable to stop a leak, disconnect the LP gas supply. Call a gas appliance serviceman or your local LP gas supplier.
 - ▲ Do not store or use gasoline or other flammable liquids or vapors within 25 feet (7.62 m) of this appliance.
 - ▲ Do not use in an explosive atmosphere. Keep heater area clear and free from combustible materials, gasoline and other flammable vapors and liquids.
 - ▲ Keep all combustible items and surfaces away from the heater at all times. DO NOT use this heater or any gas product under any overhead or near any unprotected combustible constructions.
 - ▲ Combustion of propane creates carbon monoxide, which, when used in enclosed areas, can kill you.
 - ▲ It is essential to keep the heater's valve compartment, burners, and circulating air passages clean. Inspect heater before each use.
 - ▲ Installation and repair should be done by a qualified service person.
 - ▲ Do not alter heater in any manner.
 - ▲ Do not use the heater unless it is COMPLETELY assembled and all parts are securely fastened and tightened.
 - ▲ This heater should be thoroughly inspected before each use. Clean and inspect the hose before each use of the appliance. If there is evidence of abrasion, wear, cuts, or leaks, the hose must be replaced prior to the appliance being put into operation.
 - ▲ Use only the regulator and hose assembly provided. The replacement regulator and hose assembly shall be that specified by the manufacturer.
 - ▲ Inspect heater before each use. If a damaged part is detected, do not operate until an original equipment replacement part has been properly installed.
 - ▲ Use only Blue Rhino Global Sourcing, Inc. factory authorized parts. The use of any part that is not factory authorized can be dangerous. This will also void your warranty. Contact 1.800.762.1142.
 - ▲ Dome and burner are extremely hot to the touch during operation. Never touch the dome or burner while the heater is operating. Wait for unit to cool down (approximately 45 minutes) after use.
 - ▲ During operation, do not touch burner assembly. The surface of heater's emitter can reach temperatures approaching 1600°F.
 - ▲ Do not install or use in or on boats or recreational vehicles.
 - ▲ Do not use heater in winds that exceed 10 m.p.h..
 - ▲ Unit will operate at reduced efficiency below 40°F (5°C).
 - ▲ Do not leave a lit heater unattended, especially keep children and pets away from heater at all times.
 - ▲ Always use extreme caution when near heater. Alert both children and adults to the hazards of high temperatures, especially to avoid burns or clothing catching fire.
 - ▲ Do not attempt to move heater when in use. Allow the heater to cool before moving or storing.
 - ▲ Storage of heater indoors is permissible only if the tank is disconnected, removed from the heater and properly stored outdoors.
 - ▲ Do not attempt to disconnect the gas regulator from the tank or any gas fitting while the heater is in use.
 - ▲ Always place your heater on a hard, level surface.
 - ▲ Use extreme caution on wooden decks.
 - ▲ Move gas hoses as far away as possible from hot surfaces.
 - ▲ Keep all electrical cords away from a hot heater.
 - ▲ Do not use heater for indoor cooking or heating. TOXIC fumes can accumulate and cause asphyxiation.
 - ▲ Keep sprinklers and other water sources away from burner and controls.
 - ▲ Do not hang clothing or other flammable materials either on or near heater.
 - ▲ Always allow heater to cool before attempting service.
 - ▲ Any guard or other protective device removed for servicing the heater must be replaced prior to operating the heater.
 - ▲ Certain materials or items, when stored under heater, will be subjected to radiant heat and could be seriously damaged.
 - ▲ After a period of storage and/or nonuse, check for leaks, burner obstructions and inspect for any abrasion, wear, cuts to the hose.
 - ▲ If at any time you are unable to light burner and smell gas, wait 5 minutes to allow gas to dissipate before attempting to light heater.
 - ▲ Failure to not wait 5 minutes to allow the gas to clear if the heater does not light, may result in an explosive flame-up.
 - ▲ Be careful when attempting to manually ignite this heater. Holding in the control knob for more than 10 seconds before igniting the gas will cause a ball of flame upon ignition.
 - ▲ Avoid inhaling fumes emitted from the heater's first use. Smoke and odor from the burning of oils used in manufacturing will appear. Both smoke and odor will dissipate after approximately 30 minutes. The heater should NOT produce thick black smoke.
 - ▲ If heater is not in use, the gas must be turned off at the supply tank.
 - ▲ Do not use this appliance without reading "Operating Instructions" in this manual.
 - ▲ Deaths, serious injury or damage to property may occur if the above is not followed exactly.

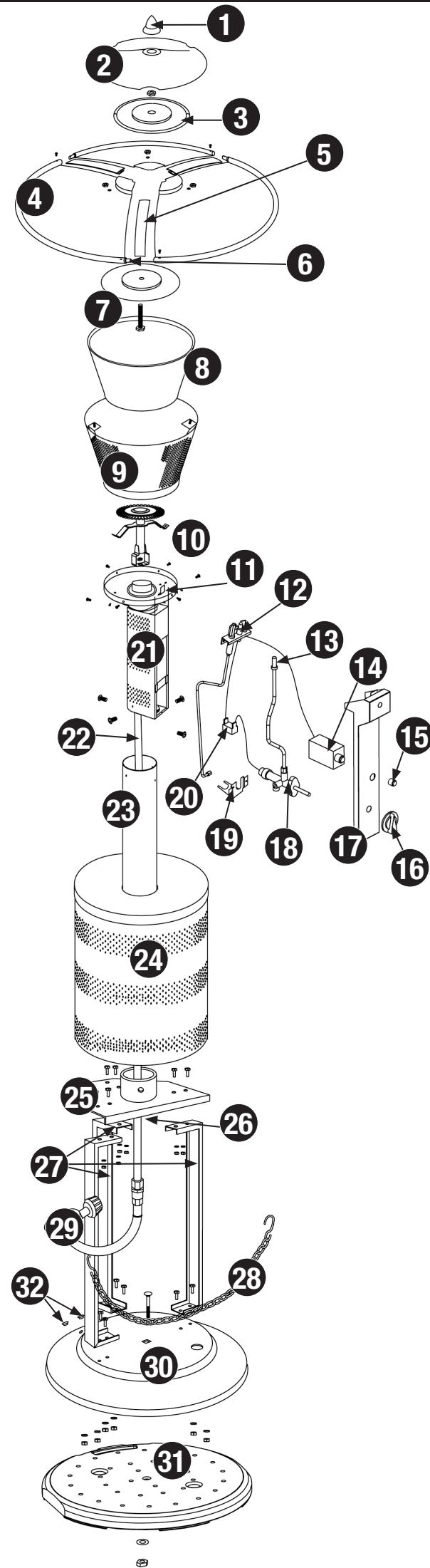
Contact 1.800.762.1142 for assistance. Do not return to place of purchase.

Parts List

1	Finial	56-01-103
2	Dome Cap	56-01-104
3	Dome Plate	56-01-105
4	Dome Panel (3)	56-01-106
5	Dome Rib (3)	56-01-109
6	Dome Rib Connector* (3)	56-01-459
7	Bottom Plate	56-01-110
8	Insulation Cone*	56-01-114
9	Emitter Screen*	56-01-113
10	Burner*	56-01-334
11	Pilot Heat Shield*	56-01-151
12	Pilot Assembly*	56-01-127
13	Burner Orifice*	56-01-131
14	Electronic Igniter*	56-01-142
15	Igniter Button*	56-01-188
16	Control Knob*	56-01-156
17	Access Panel*	56-01-140
18	Valve*	56-01-144
19	Valve Bracket*	56-01-148
20	Tip Switch*	56-01-019
21	Valve Housing*	56-01-146
22	Gas Line	56-01-190
23	Pole	56-01-158
24	Shroud	56-01-164
25	Platform	56-01-165
26	Gas Line Clip	56-01-213
27	Leg (3)	56-01-193
28	Tank Retention Chain	56-01-186
29	Regulator/Hose Assembly	56-01-192
30	Base	56-01-196
31	Weight Plate	56-01-470
32	Wheel Hole Plug (2)*	56-01-402

* Pre Assembled

Exploded View

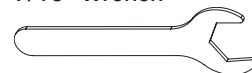


Hardware

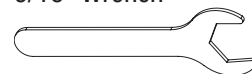
A	Screw	5/32" - 32 x 8 Stainless Steel Round Head	3 pcs
B	Screw	3/16" - 24 x 15 Black Zinc Plated Philips Head	1 pc
C	Screw	1/4" - 20 x 16 Stainless Steel Philips Head	4 pcs
D	Bolt	1/4" - 20 x 20 Nickel Plated Hex Head Bolt	12 pcs
E	Bolt	3/8" - 16 x 35 Stainless Steel Hex Head Bolt	1 pc
F	Bolt	3/8" - 16 x 95 Nickel Plated Hex Head Bolt	1 pc
G	Nut	1/4" - 20 Nickel Plated Hex Nut	12 pcs
H	Nut	3/8" - 16 Stainless Steel Hex Nut	1 pc
I	Nut	3/8" - 16 Nickel Plated Hex Nut	1 pc
J	Nut	3/8" - 16 Nickel Plated Cap Nut	3 pcs
K	Lock Washer	ø6 Nickel Plated Lock Washer	12 pcs
L	Lock Washer	ø10 Nickel Plated Lock Washer	1 pc
M	Battery	AA Battery	1 pc

Tools Required for Assembly (Not Included)

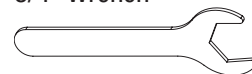
7/16" Wrench



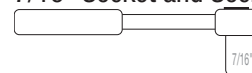
9/16" Wrench



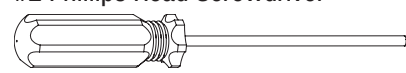
3/4" Wrench



7/16" Socket and Socket Wrench



#2 Phillips Head Screwdriver



Assembly Instructions

1 DO NOT RETURN PRODUCT TO STORE.

For assistance call **1.800.762.1142** toll free. Please have your owner's manual and serial number available for reference.

For Easiest Assembly:

- To avoid losing any small components or hardware, assemble your product on a hard level surface that does not have cracks or openings.
- Clear an area large enough to layout all components and hardware.
- When applicable, tighten all hardware connections by hand first. Once the step is completed go back and fully tighten all hardware.
- Follow all steps in order to properly assemble your product.

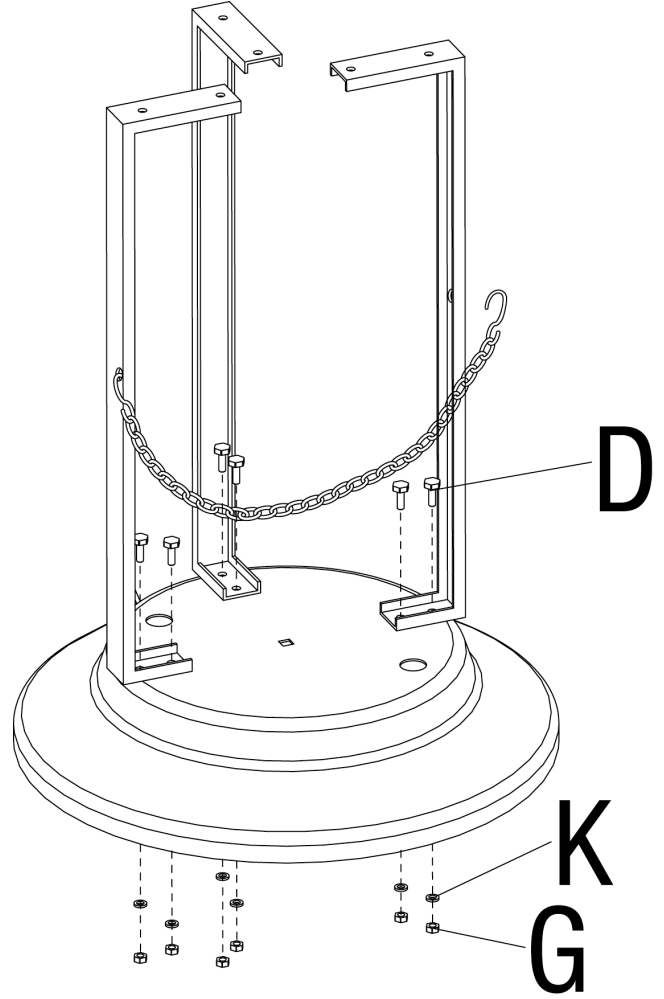
To complete assembly you will need:

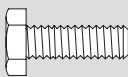


- (1) Leak Detection Solution (Instructions on how to make solution are included in step Operations Section)
- (1) Precision Filled LP Gas Grill Tank with Acme Type 1 external threaded valve connection (4-5 gallon size)

Note: You must follow all steps to properly assemble heater.

Typical assembly: approximately 1 (one) hour.

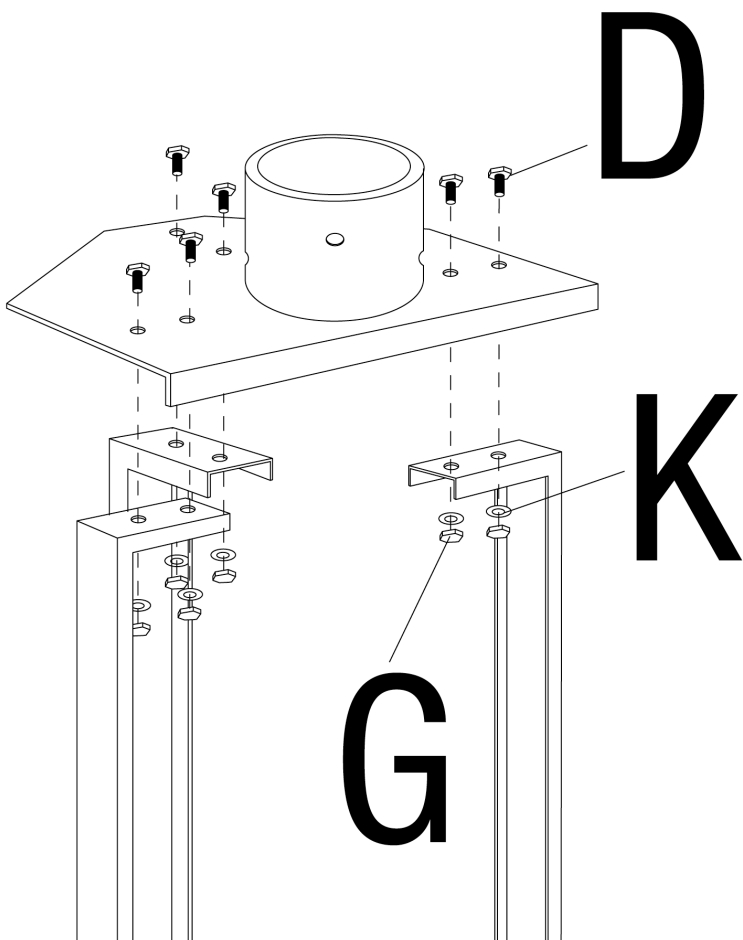
2 Attach Legs and Tank Retention Chain

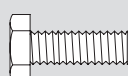




- | | | | | | |
|---|---|-----|---|---|-----|
| D |  | x 6 | K |  | x 6 |
| G |  | x 6 | | | |

3 Attach Platform

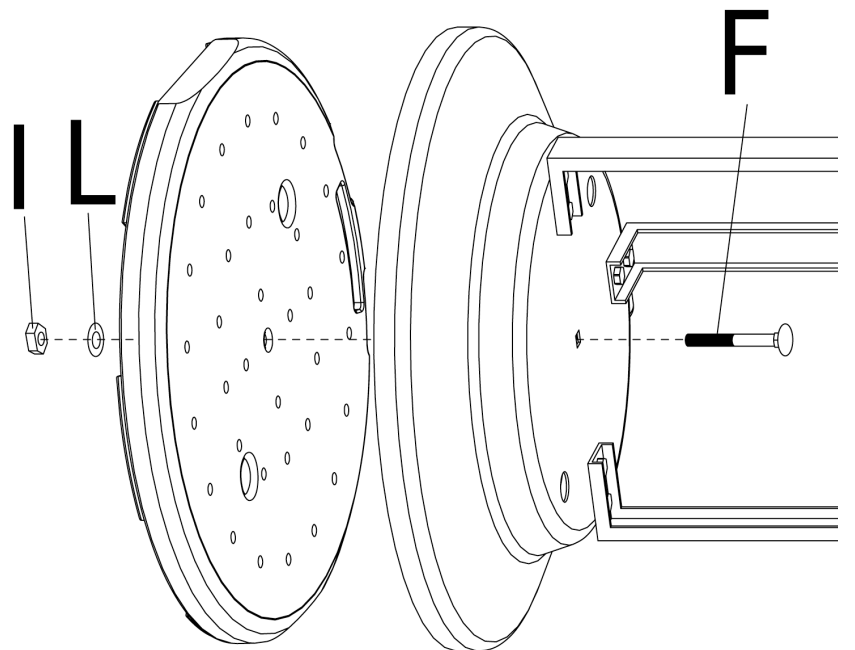
TIP: To tighten use a 7/16" wrench on Bolt and a 7/16" socket wrench on Nut.






- | | | | | | |
|---|---|-----|---|---|-----|
| D |  | x 6 | K |  | x 6 |
| G |  | x 6 | | | |

4 Attach weight plate

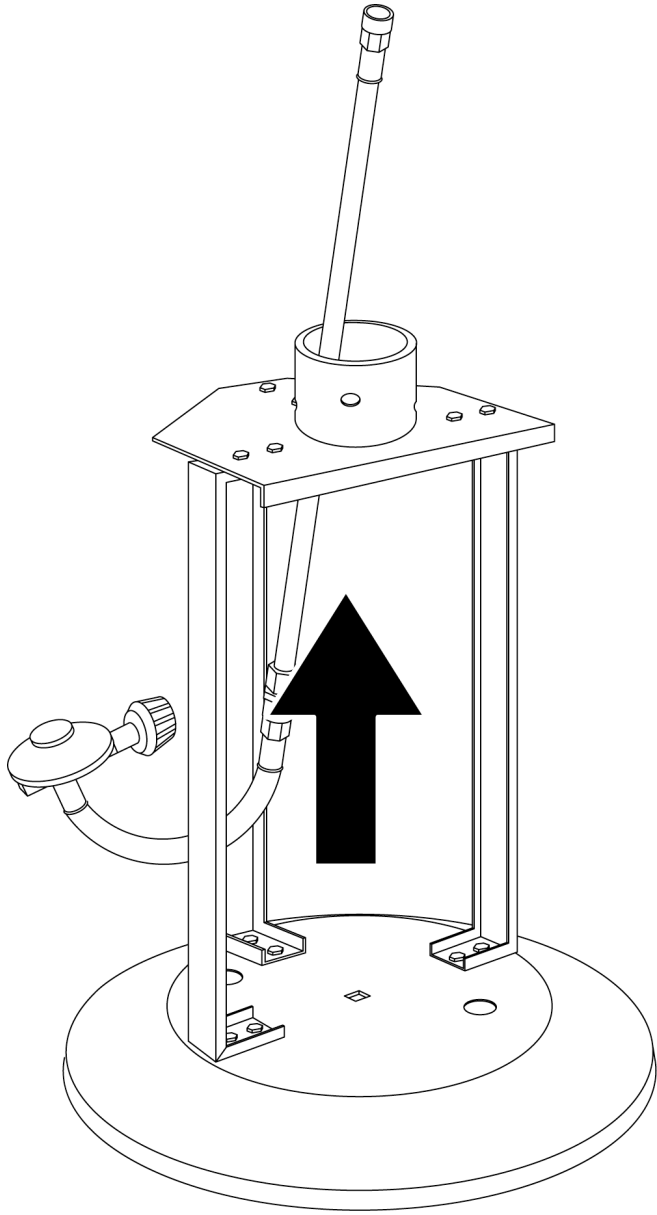
Note: If you plan to anchor your heater permanently, be sure to line up two outer holes in base with those in weight plate so that your anchor bolt will pass through both holes.



- | | | | | | |
|---|---|-----|---|---|-----|
| F |  | x 1 | L |  | x 1 |
| I |  | x 1 | | | |

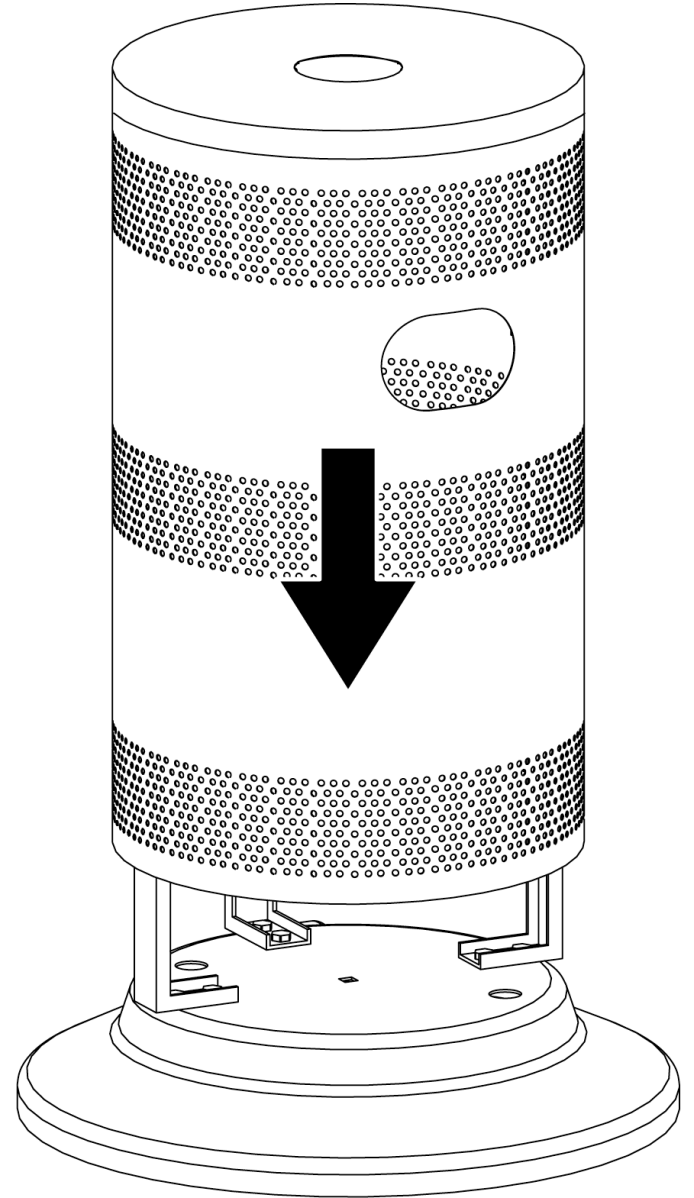
5

Insert Gas Line



6

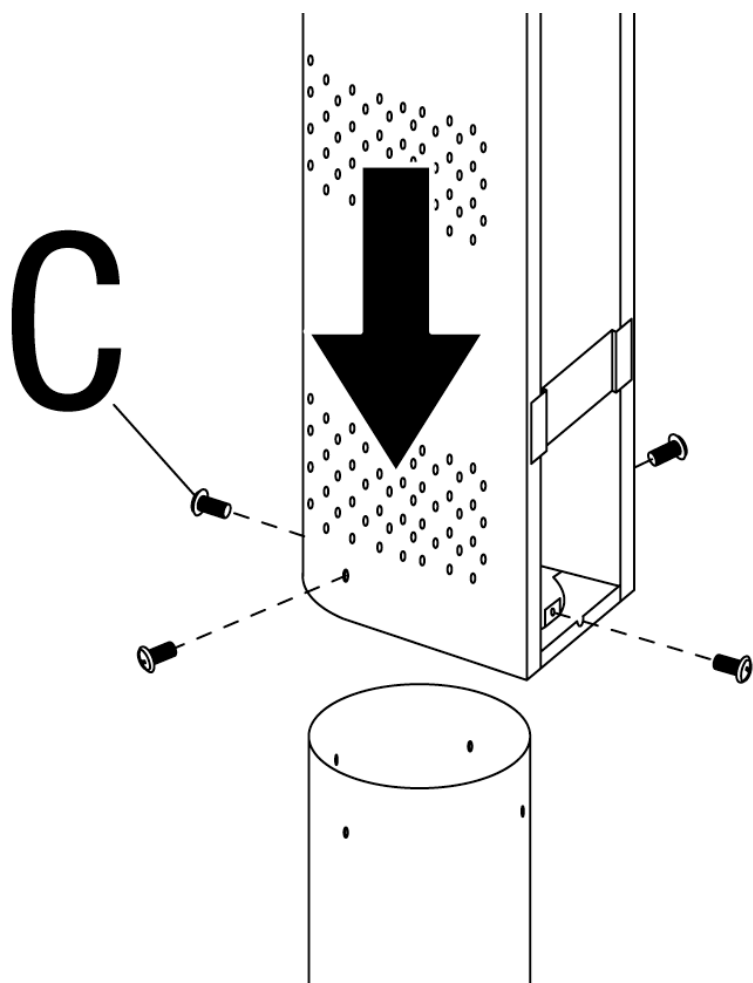
Attach Shroud

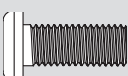


7

Attach Engine Assembly

Note: One hole is at a different level than the rest. Make sure all holes line up perfectly before



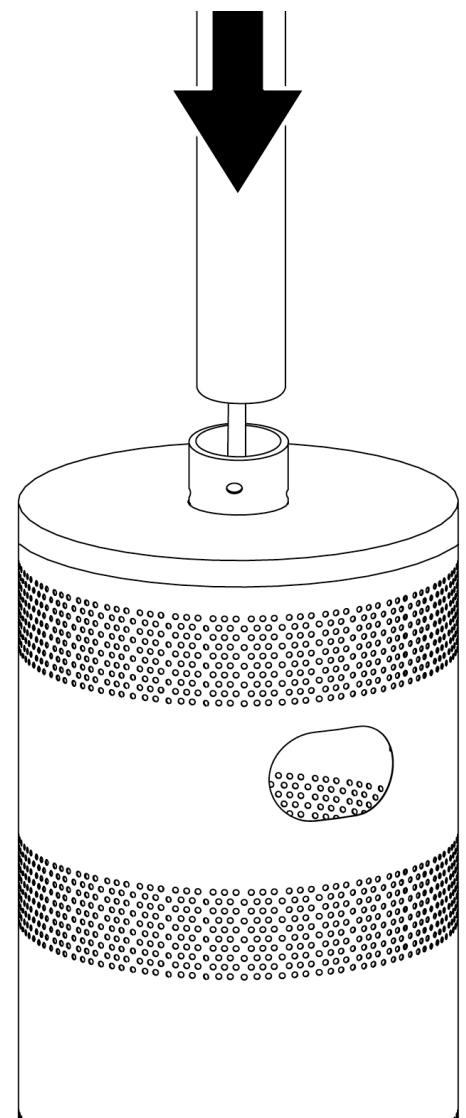
C  x 4

8

Attach Engine Assembly/Post

Note: Make sure gas line comes out bottom of pole before securing engine to pole.

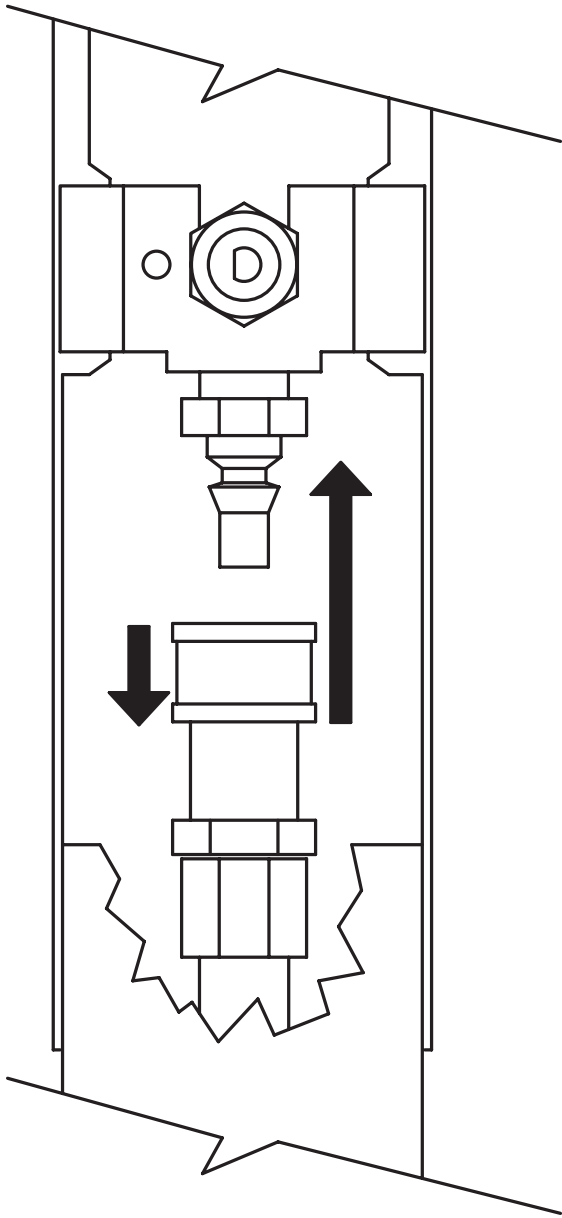
Note: Use the Allen Wrench to secure the post.



Assembly Instructions (continued)

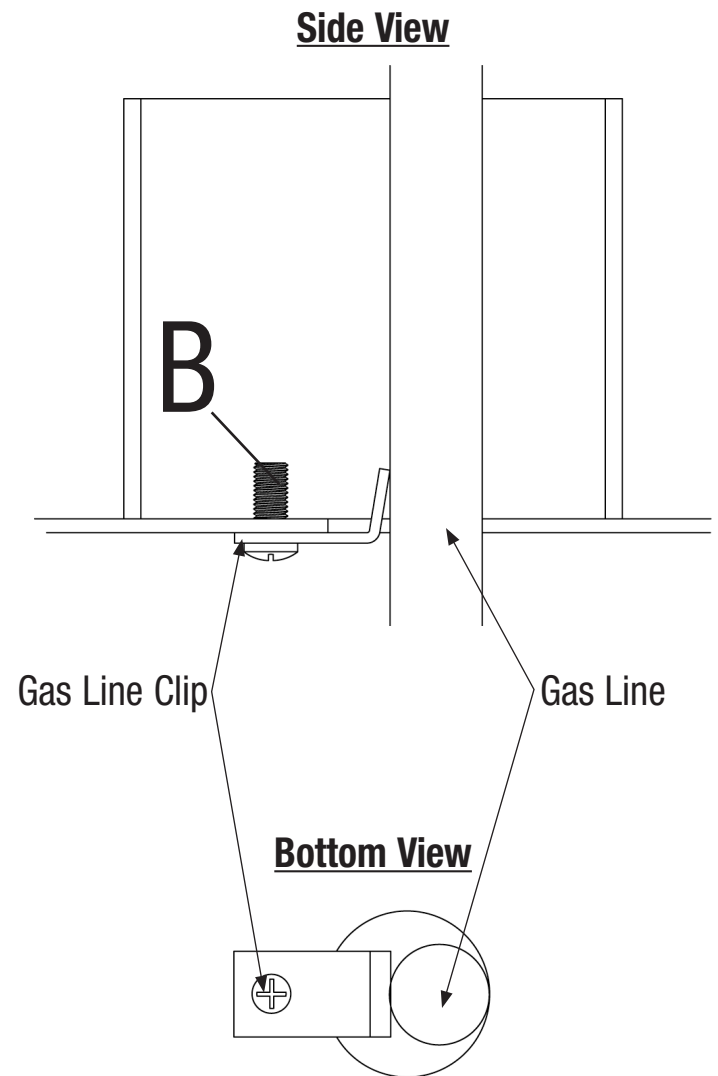
9

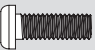
Attach Gas Line



10

Attach Gas Line Clip

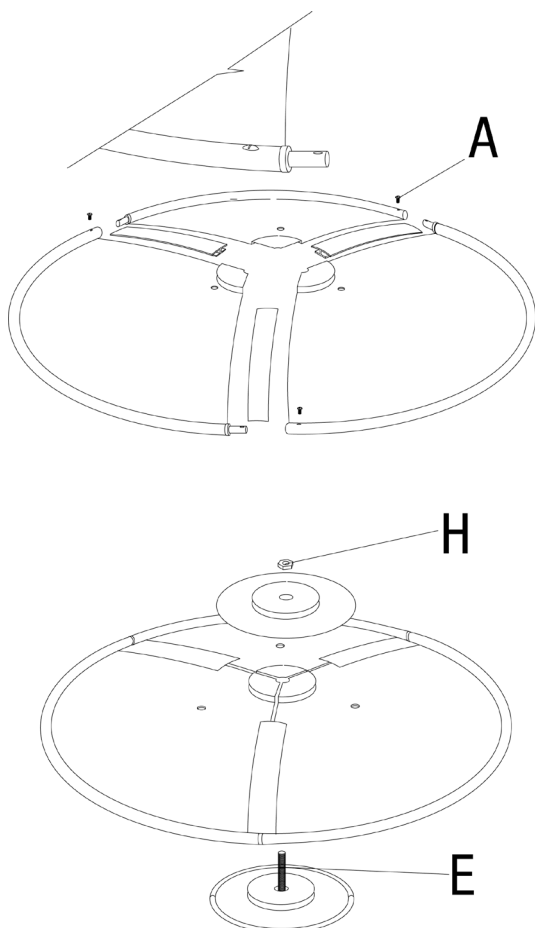


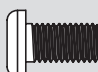
B  x1

11

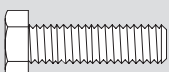
Assemble Dome

Note: Each dome section has a pin mounted in the rolled bottom edge. If necessary for proper alignment of dome sections, loosen each screw prior to assembly.



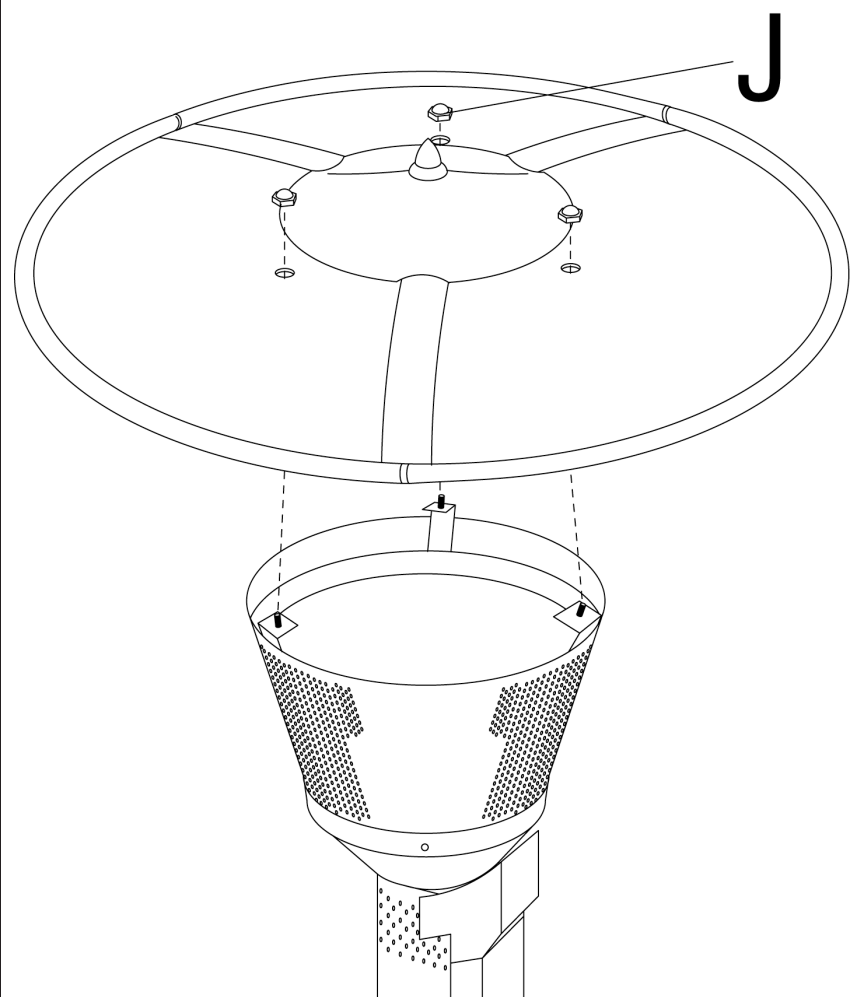
A  x1


H  x1

E  x1

12

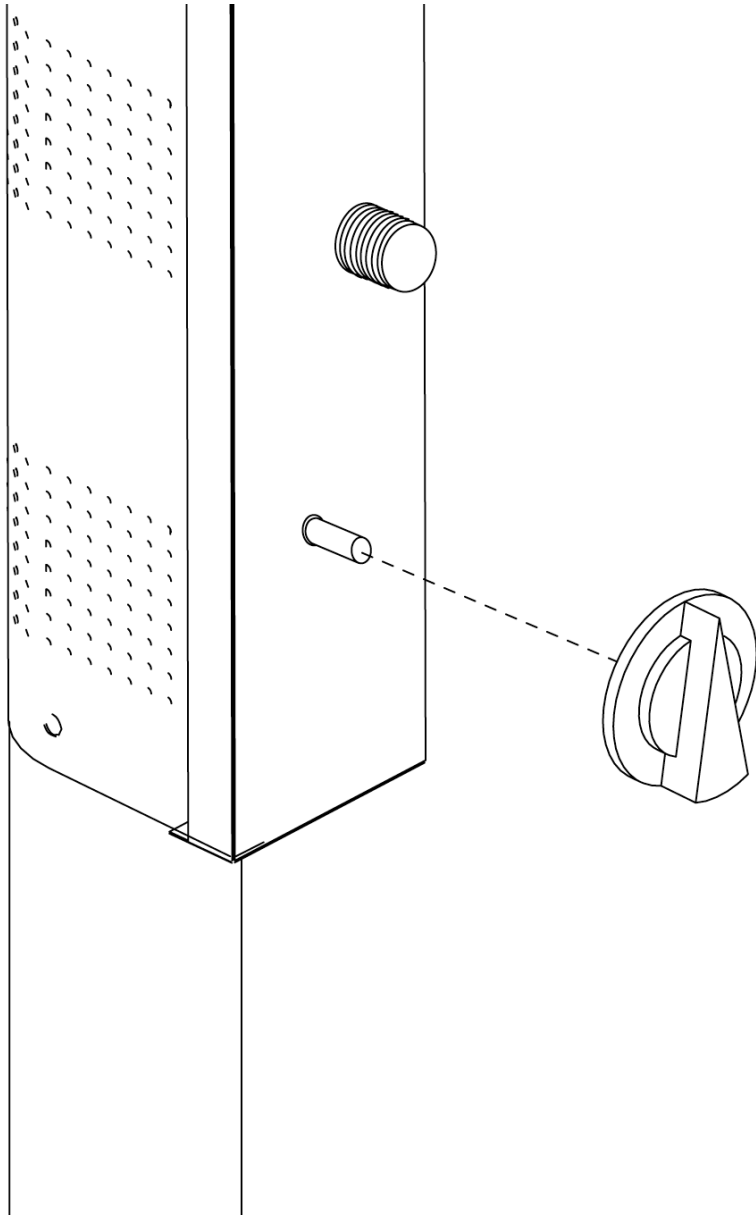
Attach Dome Assembly



J  x3

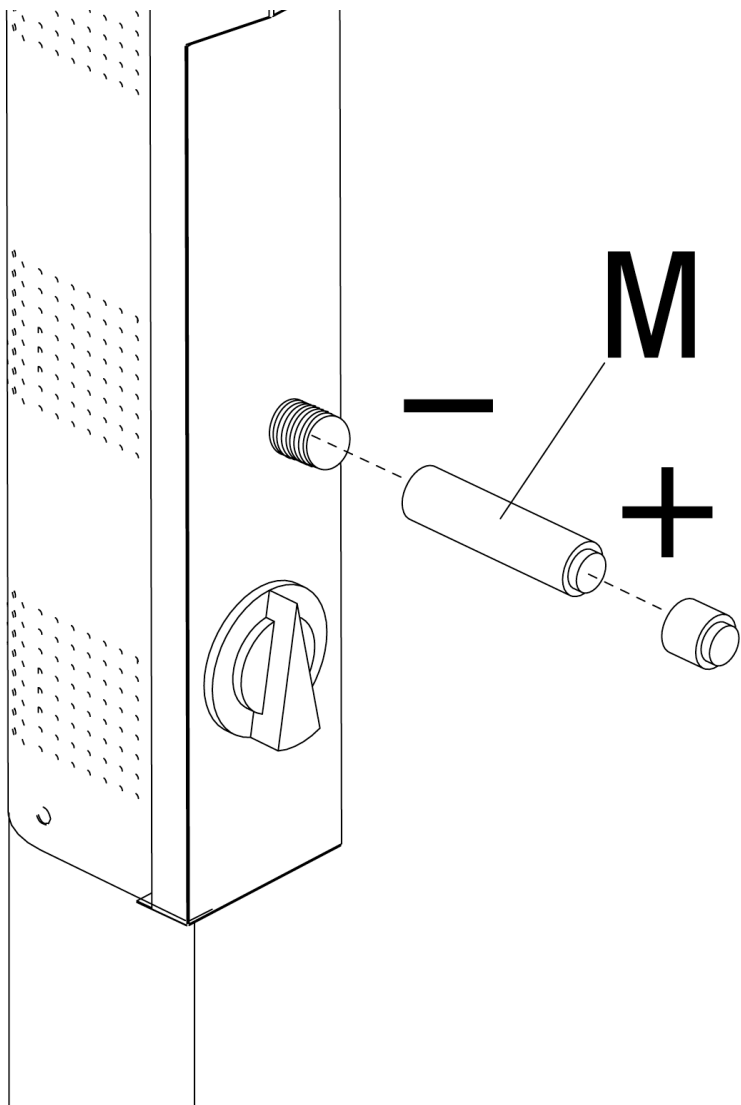
13

Attach Control Knob



14

Insert Battery

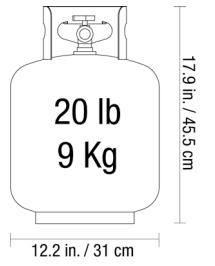


M  x 1

Installing LP Gas Tank

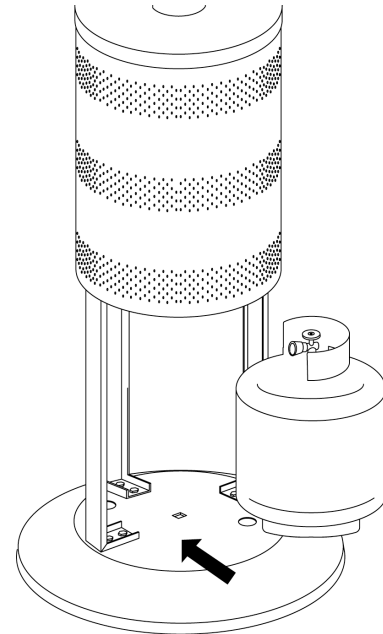
To operate you will need (1) precision-filled standard grill LP gas tank (20 lbs.) with external valve threads.

Note: An empty standard grill LP gas tank weighs approximately 18 lbs. A precision-filled standard grill LP gas tank should weigh no more than 38 lbs.



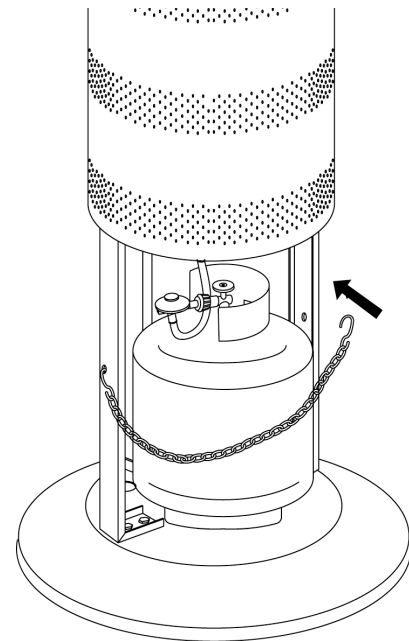
Insert LP Gas Tank

Place precision filled LP gas tank upright into hole in patio heater so it is arranged for vapor withdrawal.



Secure LP Gas Tank

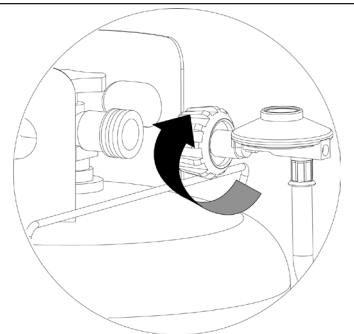
Secure tank in place by attaching loose end of tank restraint chain to hole in right leg.



Connect LP Gas Tank

Before connecting, be sure that there is no debris caught in the head of the LP gas tank, head of the regulator valve or in the head of the burner and burner ports.

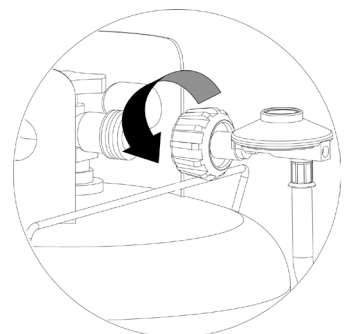
Connect gas line to tank by turning knob clockwise until it stops.



Disconnect LP Gas Tank

Before disconnecting make sure the LP gas tank valve OFF.

Disconnect gas line to tank by turning knob counterclockwise until it is loose.



Need a tank of gas? Try tank exchange service. It's easy, fast, safe, and available at tens of thousands of conveniently located retail outlets nationwide. You can purchase a new full tank or exchange your empty for a precision filled one.

Operating Instructions

Checking for Leaks

Burner Connections

Make sure the regulator valve and hose connections are securely fastened to the burner and the tank.

If your unit was assembled for you, visually check the connection between the burner pipe and orifice. Make sure the burner pipe fits over the orifice.

▲ WARNING: Failure to inspect this connection or follow these instructions could cause a fire or an explosion which can cause death, serious bodily injury, or damage to property.

If the burner pipe does not rest flush to the orifice, please contact 1.800.762.1142 for assistance.

Tank/Gas Line Connection

Make 2-3 oz. of leak solution by mixing one part liquid dishwashing soap with three parts water.

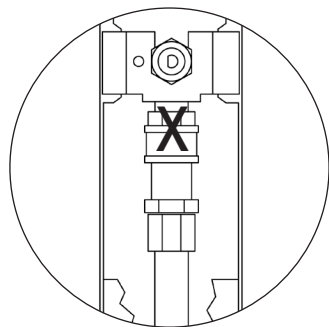
Make sure control knobs are "OFF".

Turn LP gas tank "ON" at valve.

Spoon leak check solution at all "X" locations

If any bubbles appear turn LP gas tank "OFF", reconnect and re-test. If you continue to see bubbles after several attempts, disconnect LP gas source and contact 1.800.762.1142 for assistance.

If no bubbles appear after one minute turn tank "OFF", wipe away solution and proceed.



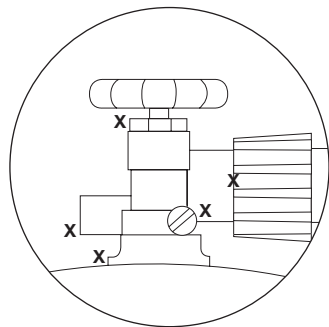
LP Gas Line

Before Lighting

Heater should be thoroughly inspected before each use, and by a qualified service person at least annually.

If relighting a hot heater, always wait at least 5 minutes.

Inspect the hose assembly for evidence of excessive abrasion, cuts, or wear. Suspected areas should be leak tested. If the hose leaks, it must be replaced prior to operation. Only use the replacement hose assembly specified by manufacturer.



LP Gas Tank Valve

Lighting

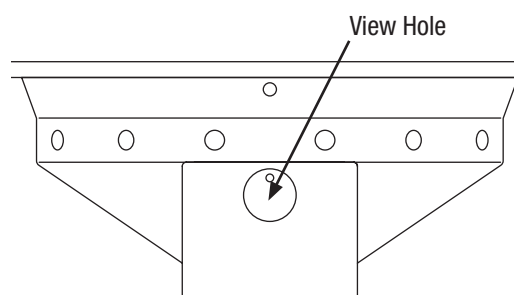
Note: this heater is equipped with a pilot light that allows for safer startups and shutdowns. Pilot must be lit before main burner can be started.

1. Turn tank valve "OFF".
2. Push control knob in and turn to "OFF".
3. Wait 5 minutes for any gas to clear.
4. Turn tank valve "ON".
5. Open viewing hole by sliding cover to either side.
6. Push control knob in and rotate to pilot position.

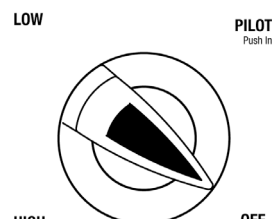
Note: for initial start or after any tank change, hold control knob in for 2 minutes to purge air from gas lines before proceeding.

7. Push igniter button once. Pilot light flame will appear and be visible through viewing hole.
8. Release control knob after 30 seconds. Pilot light will remain lit. If not, return to step 1.
9. Turn control knob to "HIGH". Main burner will light immediately. Flame is visible through viewing hole. If not, return to step 1.
10. If for some reason your igniter fails to deliver a spark, your heater can be started by inserting a lit match through the pilot view hole while pushing the control knob in while in the pilot position.

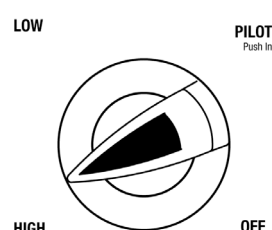
▲ WARNING: Be careful when attempting to manually ignite this heater. Holding in the control knob for more than 10 seconds before igniting the gas will cause a ball of flame upon ignition.



View Hole



Control Knob



Control Knob

Have a question or are having problems visit www.bluerhino.com or call 1.800.762.1142.

Note: the burner may be noisy when initially turned on. To eliminate excessive noise from the burner, turn the control knob to the pilot position. Then, turn the knob to the level of heat desired.

When heater is ON:

Emitter screen will become bright red due to intense heat. The color is more visible at night.

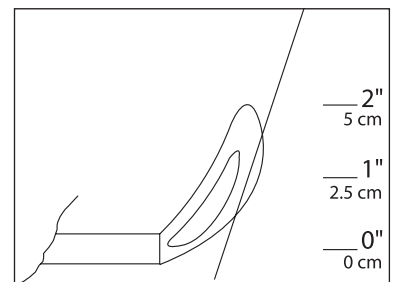
Burner will display tongues of blue and yellow flame. These flames should not be yellow or produce thick black smoke, indicating an obstruction of airflow through the burners. The flame should be blue with straight yellow tops.

If excessive yellow flame is detected, turn off heater and visit www.bluerhino.com or call 1.800.762.1142.

Re-lighting

Note: For your safety, control knob cannot be turned "OFF" without first depressing control knob in PILOT position and then rotating it to "OFF".

1. Turn control knob to "OFF".
2. Wait at least 5 minutes, to let gas dissipate, before attempting to relight pilot.
3. Repeat the "Lighting" steps.



Proper flame height.

Shut Down

1. Turn control knob clockwise to pilot. (Normally, burner will make a slight popping sound when extinguished.) Burner will extinguish but pilot will remain "ON".
2. To extinguish pilot, depress control knob and continue to turn it clockwise to "OFF".
3. Turn tank valve clockwise to "OFF" and disconnect regulator when heater is not in use.

Note: After use, some discoloration of the emitter screen is normal.

Cleaning and Care

▲ CAUTION: All cleaning and maintenance should be done when patio heater is cool and with the fuel supply disconnected.

▲ CAUTION: DO NOT clean any patio heater part in a self cleaning oven. The extreme heat will damage the finish.

Notices

1. Abrasive cleaners will damage this product.
2. Never use oven cleaner to clean any part of heater.
3. Do not clean any heater part in a self cleaning oven. The extreme heat will damage the finish.
4. More frequent cleaning may be required as necessary. It is imperative that control compartment, burners and circulating air passageways of the heater be kept clean.
5. Spiders and insects can create a dangerous condition that may damage heater or make it unsafe. Keep burner area clean of all spiders, webs, or insects. Clean burner holes by using a heavy-duty pipe cleaner. Compressed air may help clear away smaller particles.
6. Inspect heater before each use.
7. Have heater inspected annually and repairs should be made by a qualified service person.
8. Check heater immediately if any of the following conditions exist:
 - a. The smell of gas in conjunction with extreme yellow tipping of burner flames.
 - b. Heater does not reach proper temperature.

Note: At temperatures less than 40°F, heat output will be reduced.

 - c. Heater's glow is excessively uneven
 - d. Burner makes popping noises during use.

Note: A slight pop is normal when burner is extinguished.
9. Carbon deposits may create a fire hazard. Keep dome and emitter clean at all times.
10. Do not clean heater with combustible or corrosive cleaners. Use warm, soapy water.
11. Do not paint engine, engine access panel or dome.
12. This heater should be thoroughly cleaned on a regular basis.
13. After a period of storage and/or nonuse, check for leaks, burner obstructions and inspect for any abrasion, wear, cuts to the hose.

Cleaning and Care (continued)

Cleaning Surfaces

1. Wipe surfaces clean with mild dishwashing detergent or baking soda.
2. For stubborn surfaces use a citrus based degreaser and a nylon scrubbing brush.
3. Rinse clean with water.

Note: While cleaning your unit, be sure to keep the area around the burner and pilot assembly dry at all times. Do not submerge the control valve assembly. If the gas control is submerged in water, do NOT use it. It must be replaced.

Maintenance

To enjoy years of outstanding performance from your heater, make sure you perform the following maintenance activities on a regular basis:

1. Keep exterior surfaces clean.
2. Air flow must be unobstructed. Keep controls, burner, and circulating air passageways clean. Signs of possible blockage include:
 - Gas odor with extreme yellow tipping of flame.
 - Heater does NOT reach the desired temperature.
 - Heater glow is excessively uneven.
 - Heater makes popping noises.

Note: In a salt-air environment (such as near an ocean), corrosion occurs more quickly than normal. Frequently check for corroded areas and repair them promptly.

TIP: Use high-quality automobile wax to help maintain the appearance of your heater. Apply to exterior surfaces from the pole down. Do not apply to emitter screen or domes.

Storage

Between uses:

1. Turn Control Knob OFF.
2. Disconnect LP source.
3. Store heater upright in an area sheltered from direct contact with inclement weather (such as rain, sleet, hail, snow, dust and debris).
4. If desired, cover heater to protect exterior surfaces and to help prevent build up in air passages.

Note: Wait until heater is cool before covering.

During periods of extended inactivity or when transporting:

1. Turn Control Knob "OFF".
2. Disconnect LP source and move to a secure, well-ventilated location outdoors.
3. Store heater upright in an area sheltered from direct contact with inclement weather (such as rain, sleet, hail, snow, dust and debris).
4. If desired, cover heater to protect exterior surfaces and to help prevent build up in air passages.
5. Never leave LP tank exposed to direct sunlight or excessive heat.

Note: Wait until heater is cool before covering.

Product Registration

For faster warranty service, please register your product immediately at www.bluerhino.com or call 1.800.762.1142.

Limited Warranty

Blue Rhino Global Sourcing, Inc ("Vendor") warrants to the original retail purchaser of this product, and to no other person, that if this product is assembled and operated in accordance with the printed instructions accompanying it, then for a period of two (2) years for the burners; and one (1) year for all remaining parts from the date of purchase, all parts in such product shall be free from defects in material and workmanship. Vendor may require reasonable proof of your date of purchase. Therefore, you should retain your sales slip or invoice. This Limited Warranty shall be limited to the repair or replacement of parts, which prove defective under normal use and service and which Vendor shall determine in its reasonable discretion upon examination to be defective. Before returning any parts, you should contact Vendor's Customer Service Department using the contact information listed below. If Vendor confirms, after examination, a defect covered by this Limited Warranty in any returned part, and if Vendor approves the claim, Vendor will replace such defective part without charge. If you return defective parts, transportation charges must be prepaid by you. Vendor will return replacement parts to the original retail purchaser, freight or postage prepaid.

This Limited Warranty does not cover any failures or operating difficulties due to accident, abuse, misuse, alteration, misapplication, improper installation or improper maintenance or service by you or any third party, or failure to perform normal and routine maintenance on the product as set out in this owner's manual. In addition, the Limited Warranty does not cover damage to the finish, such as scratches, dents, discoloration, rust or other weather damage, after purchase.

This Limited Warranty is in lieu of all other express warranties. Vendor disclaims all warranties for products that are purchased from sellers other than authorized retailers or distributors, including the warranty of merchantability or the warranty of fitness for a particular purpose. VENDOR ALSO DISCLAIMS AND ANY ALL IMPLIED WARRANTIES, INCLUDING WITHOUT LIMITATION THE IMPLIED WARRANTIES OF MERCHANTABILITY AND FITNESS FOR A PARTICULAR PURPOSE. VENDOR SHALL HAVE NO LIABILITY TO PURCHASER OR ANY THIRD PARTY FOR ANY SPECIAL, INDIRECT, PUNITIVE, INCIDENTAL, OR CONSEQUENTIAL DAMAGES. Vendor further disclaims any implied or express warranty of, and assumes no responsibility for, defects in workmanship caused by third parties.

This Limited Warranty gives the purchaser specific legal rights; a purchaser may have other rights depending upon where he or she lives. Some jurisdictions do not allow the exclusion or limitation of special, incidental or consequential damages, or limitations on how long a warranty lasts, so the above exclusion and limitations may not apply to everyone.

Vendor does not authorize any person or company to assume for it any other obligation or liability in connection with the sale, installation, use, removal, return, or replacement of its equipment, and no such representations are binding on Vendor.

Blue Rhino Global Sourcing, Inc
Winston-Salem, North Carolina 27105 USA
(800) 762-1142

Specifications

Certifications:

CSA International Requirement 5.90
Canadian National Standard CAN1-2.23-M82

Rating:

Maximum 40,000 BTU/hr. input

Heat Range:

Up to 20 foot diameter

Fuel:

Liquid Propane Gas (LP)

Tank Size:

Nominal 20 lb / 5 Gallon

Inlet gas supply pressure:

Maximum – 150 PSI
Minimum – 5 PSI

Manifold Pressure:

11.00 in. W.C.

Engine:

IPP E8

Safety Features:

100% Burner shut-off
Tilt Switch

Manufacturer:

Blue Rhino Global Sourcing, Inc

Made In:

China

Troubleshooting

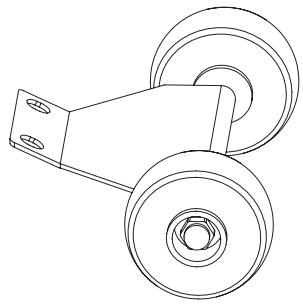
If the problem is:	And this condition exists:	Then do this
Pilot won't light <i>Note: Heater operates at reduced efficiency below 40°F (5°C).</i>	Tank valve is closed	Open valve
	Blockage in orifice or pilot tube	Clean or replace orifice or pilot tube
	Air in gas line	Open gas line and bleed it (pressing control knob in) for not more than 1 - 2 minutes or until you smell gas
	Low gas pressure with tank valve fully open	Turn tank valve "OFF" and replace tank
	Igniter fails	Use match to light pilot; obtain new igniter and replace
Pilot won't stay lit	Dirt built up around pilot	Clean dirt from around pilot
	Connection between gas valve and pilot assembly is loose	Tighten connection and perform leak check
	Thermocouple is not operating correctly	Replace thermocouple
Burner won't light	Gas pressure is low	Turn tank valve "OFF" and replace tank
	Blockage in orifice	Clear blockage
	Control knob is not in "ON" position	Turn control knob to "ON"
Burner flame is low	Gas pressure is low	Turn tank valve "OFF" and replace tank
	Outdoor temperature is less than 40°F and tank is less than 1/4 full	Use a full tank
	Supply hose is bent or kinked	Straighten hose
	Control knob fully "ON"	Check burner and orifices for blockage
Emitter glows uneven <i>Note: Bottom 1" of emitter normally does NOT glow.</i>	Gas pressure is low	Turn tank valve "OFF" and replace tank
	Base is not on a level surface	Place heater on a level surface
	Heater is level	Clean burner
Carbon build-up	Dirt or film on reflector and emitter	Clean reflector and emitter
Thick black smoke	Blockage in burner	Remove blockage and clean burner inside and outside

For more assistance please visit us online at www.bluerhino.com or call 1.800.762.1142 for immediate assistance.

Optional Accessories

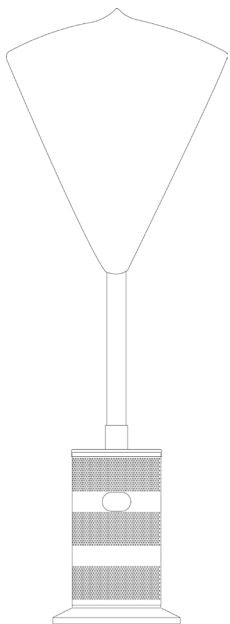
Wheel Kit

For easier portability.



Patio Heater Cover

Helps protect your heater from insects and the elements.



Please call your local supplier for more information.